

## TECHNICAL CHARACTERISTICS

### 1. General Characteristics

Dimensions: 29.7L x 17.2W x 2.2H mm

Weight: Approx. 0.80g

Contact principle: Friction technology

Operating position: Shaft up / Down / Horizontal

Mounting System: SMT Type (post optional)

Durability: 10,000 cycles min.

### 2. Mechanical Characteristics:

Insulation material: Thermoplastic, UL 94V-0

### 3. Electrical Characteristics

Number of contacts (Optional): 6,8 pins

Contact resistance: 50 mΩ typical, 100 mΩ max.

Insulation resistance: > 1000 MΩ / 500 VDC

### 4. Solderability

Wave: Not applicable

Vaporphase: 215°C, 30 sec. Max.

IR reflow: 260°C, 10 sec. Max.

Manual soldering: 360°C, 3 sec. Max.

### 5. Environmental Characteristics

Operating temperature: - 40°C ~ + 85°C

Operating humidity: 10 % ~ 95 % RH

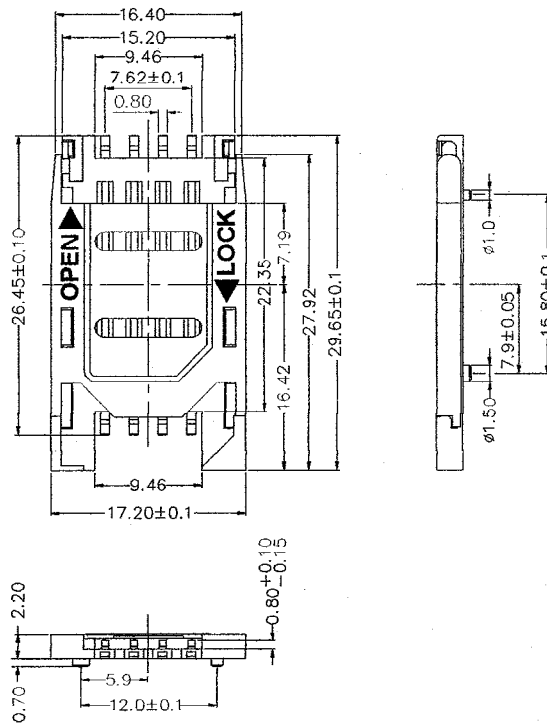
Storage temperature: - 40°C ~ + 85°C

Storage humidity: 10 % ~ 95 % RH

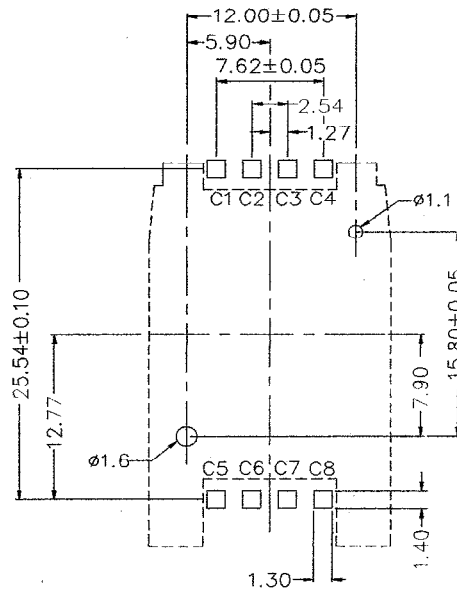
Thermal shock: - 40°C ~ + 85°C, 5 cycles

Damp Heat: 40°C, 90 % RH, 500HR.

Salt-mist: 35°C, 5%, NaCl, 48HR.



Unit: mm; Tolerances: ±0.10mm  
Mechanical outline dimension



Unit: mm; Tolerances: ±0.10mm  
Reference dimension for PCB layout

**SIM Card Acceptor**

**Model No.: ICA-521 8pin + post**

**Revision: 1.0**

**Date: JUN. 01, 2004**